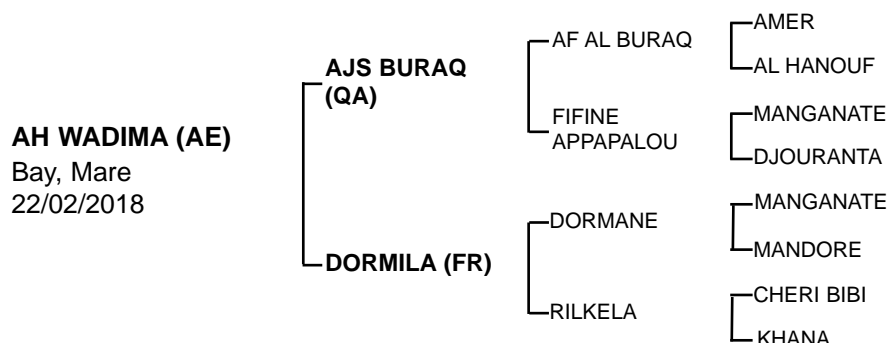


No:108



Sire: **AJS BURQA** (c, by AF Al Buraq) **1 win** & 6 places in Qatar & in UAE. His sire **AF AL BURQA** (c, by Amer) once 3rd place from 1 start. **FULL BROTHER** to **AF ALBAHAR**. sire of **Stakes winners** and performers. some of best progeny incl: **AF MAHER** (Dubai Kahayla Classic (Gr.1), **AF MAQAYES** (Al Ruwais (Gr.3), **AF AL HAZER** - Arabian Triple Crown R1, **AF AL SAJANJLE** - (Mazrat Al Ruwayah (Gr.2), **AF TAWAQ** - (2nd Al Maktoum Challenge R3 (Gr.1), **AF ALWAJEL** - (2nd Al Ruwais Stakes (Gr.3), **AF MAHSHOUM** - (Sheikh Zayed bin Sultan Al Nahyan National Day Cup (Gr.3), **AF AL ALMAA**, **AF AL JAHED**, **AF ASHRAS**, **AF HAKEEM**, **AF LA'ASAE**, , **AF SSAYEB**, **AF THOBAR**, **AF AL ASEF**, **AF AL SALLY**, **AF ASHEHAM**, **AF BAREQAH**, **AF KAFU**, **AF MADRUB**, , **AF MASHAREF**, **AF MONSEF**, **AF MUKHIFAH**, **AF TARAHA**, **AF TEBYAN**, **AF YATROOQ**, **AJS BURQA**, **AF AL MEHLEB**, **AF AL BAHER**, **AF AL BAIRAQ**, **AF AMJAD**, **AF AL MOREEB**, **AF GADEER**, **AF MAFATEN**, **AF MAKERAH**, **AF MEGHWAAR**, **AF MOMTAZ**, **AF MOTAGHATRES**, **AF MOUTHIRAH**, **AF WAQAS**, **AF MEZMAR**, **AF MEKHBAT**, **AF NAFECE**, **AF NOQOUSH**, **AF RAWIAH**, **AF SANAD**, **AF SHARESAH**, **AF THOBOR**, **AF TAREH AL THAHAB**, **AF TAGHZEL**, **AF YATROQ**, & many more.

1st Dam: **DORMILA** (f, by Dormane) **4 wins** & 12 places, incl: **1st** Al Asayl Championship (Gr.3), **1st** Lulu Island, 2nd HH Sh. Khalifa bin Zayed Al Nahyan Triple Crown R3 (Gr.2), 2nd HH The President Cup Prop, 3rd Emirates Championship (Gr.1), 4th HH Sh. Khalifa bin Zayed Al Nahyan Triple Crown R1 (Gr.3).

2nd Dam: **RILKELA** (f, by Cheri Bibi) Unraced, Dam of **winners** incl:  
**KALIKEAUBA** (c, by Darike) **2 wins** & 3 places  
**RILMELA** (f, by Djamel) 4 places from 6 starts in Qatar. Dam of:  
**ISTINTAAJ** (f, by Hafid du Bac) **1 win** in Qatar  
**RILFOR** (c, by Djelfor) **4 wins** & 6 places  
**RILKMANE** (f, by Dormane) **1 win** & once 2nd from 2 starts

3rd Dam: **KHANA** (f, by Saint Laurent) unraced, Dam of **winners** incl:  
**ROGHEDA** (f, by Dormane) **4 wins** & 6 places  
**RHETIE** (f, by Karkour) **1 win** & 5 places  
**MISHKA** (c, by Lionel) **2 wins** & 2 places  
**KHANLION** (c, by Lionel) **2 wins** & places & Sire  
**GEDIDA** (f, by Mont Fleur) **1 win** & 3 places. Dam of **winners** incl:  
**REALISTE** (c, by Crowned Music) **2 wins** & 4 places  
**RUBLION** (c, by Lionel) **3 wins** & 4 places