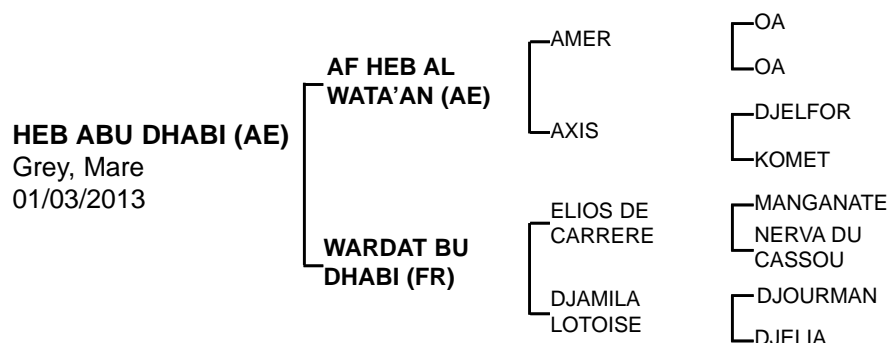


No:34



Sire: AF HEB AL WATA'AN (c, by Amer) Unplaced from 1 start. His sire **AMER** (c, by Wafi), **5 wins** from 7 starts in UK. Outstanding sire of **winning race horses Sire of 107 winners** of 432 races including **49 Group 1** races around the world. **AL ANOOD - 18 wins** (incl: **6 Gr.1** races), **MUTABAHI - 11 wins** (incl: **4 Gr.1**), **DAHESS - 27 wins** (incl: **13 Gr.1** races), **NIZAM - 15 wins** (incl: **4 Gr.1** races), **AL DAHMA - 22 wins** (incl: **15 Gr.1** races), **MUGADIR - 17 wins**, **MAJD AL ARAB - 10 wins** (incl: **5 Gr.1** races), **MUNEEF - 6 wins** (incl: **1 Gr.1** races), **GENERAL - 5 wins** (incl: **1 Gr.1** races), **AL ANQA - 3 wins**, **DAMIS - 2 wins**, **MURHIB - 10 wins** incl: **Gr.2 & Gr.3 winners**, **MALEEHAH - 16 wins** including French **1Gr. win**, **OMAIER - 3 wins**, **RAQIYAH - 5 wins** (incl: **Gr.1** races), **TAMEEMAH - 5 wins**, **AL ZUBARAH - 18 wins**, **DARRAB - 8 wins**, **MALIKA AL MAIDA - 6 wins**, **ZREIG - 4 wins**.

1st Dam: WARDAT ABU DHABI (f, by **ELIOS DE CARRERE** (c, by **Manganate**) **3 wins** & 11 places from 19 starts at age of 4 - 7 Yrs. incl: **1st Coupe d'Asayl** Stables of Abu Dhabi (10 furlong), **1st Emirates Race**. his sire **Manganate** (c, by Saint Laurent) 4 starts, **3 wins** at 3, **Prix Special - Tarbes**, **Prix Kristine - Pompadour**, **Prix Djrba Oua - Biarritz**. The **Champion** sire of **Champion winners**.)

2nd Dam: DJAMILA LOTOIS (f, by **Djourman**) **1 win** & 6 places in France & UAE. Her sire **DJOURMAN** (1980 - Manguier), 6(3-3) a successful sire of the winners, In the UAE his stock including **AZIHADÉ 4/25(5-4-2)**, **JULIE DE SYRAH 1/3 (1-2-0)** & in France **DIFFA DU BAC 2/15(2-9)** also **1/5(3-1-1)** in UK incl. 1st in Qatar Mares Championship 1996 & **VOLCADO DE CARRERE 2/4(2-1)** incl. 1st in **Prix du President des Emirates Unis** winner 1994. in the UK, **BACCARA DE CARRERE** won **Al Shahania Mares Championship** 1993. Dam of **winner** incl:
BALERINA (, by **Djel Bon**) **1 win** & 3 places
THA'ER (c, by **Nizam**) 5 wins & 9 places

3rd Dam: DJELIA (f, by **Zulus**) Unraced. Dam of **winners** incl:
DJELROY LOTOISE (c, by **Kesberoy**) **2 wins** & 8 places
Selia Lotoise (f, by **Tidjani**) 5 places