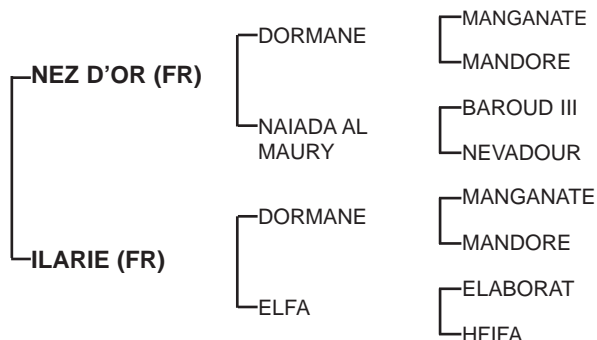


Property of :

EMARATI (AE)Bay, Stallion,
25/01/2009**EMARATI** - unplaced from 1start.

Sire: NEZ D'OR (c, by Dormane) **6 wins** & 10 places in UAE. **Top rated 127.winner** incl: **1st** Sheikh Maktoum Bin Rashid Al Maktoum Challenge Round I (**G1**), 1st Sheikh Maktoum Bin Rashid Al Maktoum Challenge Round II (**G1**), 1st Sh Khalifa Bin Zayed Al Nahyan Triple Crown Round III (**G2**), **1st** Sh Khalifa Bin Zayed Al Nahyan Triple Crown Round I (**G2**), **1st** Dubai Kahalya Classic (**G1**) & 2nd Dubai Kahalya Classic (**G1**) etc.. **winning prize money more than 1,300,000 AED**. Sire of **many winners** incl: **JINAD, MESHWAR, BINT SHAGRA III, VICTOR ADAM, KNIFE, MARAM** & others.

1st Dam: **ILARIE** (f, by Dormane) 6 places in France & UAE. Dam of:**TOWAISANN AL REEF** (c, by Bibi de Carrere) **1 win** & 1 place

Laila (f, by Tahar de Candelon) once 2nd place from 1 start.

Her sire **DORMANE** (c, by **Manganate**), Bred in France. He raced as a 3 and 4 year old and had **six wins**. He is **own brother** to **Djamel, Madjel, Djenbel**, and **Margau** dam of **Massamarie**. **Dormane** is the **Championship sire** of his **Generation** and is sire of **winners** including, **Dorwan Du Cayrou, Passem Lotois, Darike, Chndaka, Chaikh Man, Noreen, Nisae**.

2nd Dam: **ELFA** (f, by Elaborat) Unraced, Dam of:**HEURE D'ETE** (f, by Djourman) **1 win** & 4 places, Dam of:**RS HAYFA** (f, by Bengali D'Albret) **1 win** & 2 places.3rd Dam: **HFIFA** (f, by BA Toustem) unraced, Dam of:

Happy Al Maury (f, by Baroud III) unraced, Dam of:

HARMONIE AL MAURY (f, by Tidjani) **1 win** & 5 places in Qatar

Hermine Al Maury (f, by Derkouch) unplaced, Dam of:

GHAIIYATH (c, by Donchak) **1 win** & 5 places

Qualifat (f, by Elaborat) unraced, Dam of:

DULCINA DU CAYROU (f, by Dormane) **3 wins** & 7 placesBor Fifa (f, by Elaborat) unraced, Dam of **winners** incl:**FAROUK DE L'ARDUS** (c, by Royal de Carrere) **3 wins** & 11 places**TOUNDRAL'ARDUSSON** (f, by Gonchar) **1 win** & 7 places**DJEBEL DE L'ARDUS** (c, by Masan) **9 wins** & 14 places**HOGGAR DE L'ARDUS** (c, by Maklouf) **4 wins** & 11 places**IRKOUTSE** (c, by Maklouf) **2 wins** & 8 places